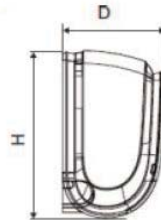
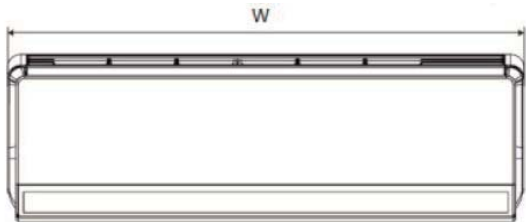


**SPLIT TYPE**
**ORCHID**
**Model:  
KW12HUCA4D**

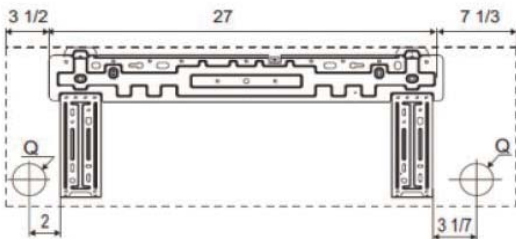

Item	Unit	Specification
ODU Model	—	KW12HUCA4DO
IDU Model	—	KW12HUCA4DI
<b>System Ratings</b>		
Cooling Capacity	Btu/h	12,000
Heating Capacity (47°F)	Btu/h	13,000
Heating Capacity (17°F)	Btu/h	8,500
Cooling Capacity Range	Btu/h	2,900 -15,354
Heating Capacity Range	Btu/h	3,071 -18,766
Cooling Power Input (Max)	W	1,500
Heating Power Input (Max)	W	1,600
SEER	—	23.0
HSPF	—	11.0
EER	W/W	12.7
COP	W/W	3.1
Cooling Operation Range	°F(°C)	0 ~ 129.0 (-18.0 ~ 54.0)
Heating Operation Range	°F(°C)	-22.0 ~ 75.0 (-30.0 ~ 24.0)
Gas Pipe Size (OD)	Inch	1/2
Liquid Pipe Size (OD)	Inch	1/4
Connection Method	—	Flared
Factory Charge	oz	49.4
Additional Charge	oz/ft	0.21
Pre-Charge Length	ft.	25
MAX Refrigerant Length	ft.	66
Min Refrigerant Pipe Length	ft.	10
MAX Refrigerant Pipe Elevation	ft.	33
<b>Indoor Unit Data</b>		
Fan Motor Power Output	W	20
Fan Motor FLA	A	0.2
Air Flow Volume	CFM	265/471
Sound Pressure Level	dB(A)	23/42
Dehumidication	pt/hr	3.0
Power Supply	—	208/230V / 1Ph / 60Hz
Min/Max Voltage	V	187 - 253
MCA	A	13.0
MOCP/Breaker Size	A	20.0
Interconnecting Cable Wire Size	—	14-4 AWG
<b>Outdoor Unit Data</b>		
Compressor Type	—	DC Inverter Rotary
Compressor RLA	A	9.5
Refrigerant Type	—	R410A
Fan Motor Power Output	W	30
Fan Motor FLA	A	0.36
Sound Pressure Level	dB(A)	55
Power Supply	—	208/230V / 1Ph / 60Hz
Min/Max Voltage	V	187 - 253
Main Supply Wire Size	—	12-2 AWG
MCA	A	13.0
MOCP/Breaker Size	A	20.0

**Job Name:**
**Schedule Reference:**
**Date:**

## Outline and Physical Dimension of KW12HUCA4D

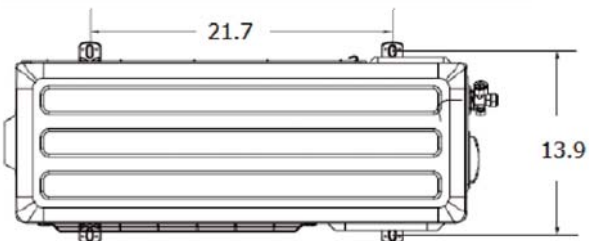
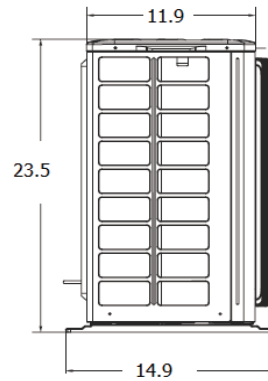
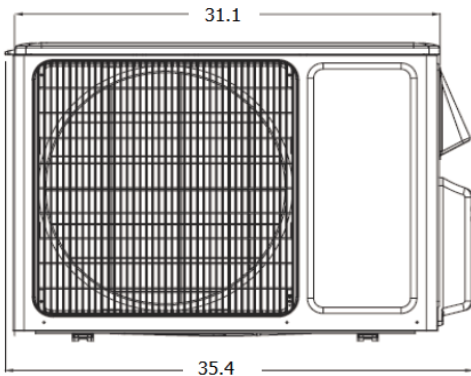


Dimensions	
W	37 3/4
H	12 5/8
D	8



Liquid Line Valve	1/4-in OD Flared
Gas Line Valve	1/2-in OD Flared
Drain Connector	5/8-in OD

Units: inch



Liquid Line Valve	1/4-in OD Flared
Gas Line Valve	1/2-in OD Flared

Net Weight IDU	lb
Gross Weight IDU	lb
Net Weight ODU	lb
Gross Weight ODU	lb

**COOLING PERFORMANCE (BtuH)\***

Outdoor Ambient Temperature (DB)	Indoor Entering Air Temperatures							
	65°F DB		68°F DB		73°F DB		79°F DB	
	55°F WB		57°F WB		61°F WB		64°F WB	
	TC	SHC	TC	SHC	TC	SHC	TC	SHC
5°F	6,690	5,240	7,290	5,720	7,730	6,060	8,260	6,480
14°F	6,990	5,480	7,660	6,000	8,090	6,340	8,640	6,770
23°F	7,800	6,120	8,390	6,580	8,970	7,040	9,560	7,500
32°F	8,220	6,440	8,830	6,930	9,450	7,410	10,060	7,890
41°F	8,870	6,950	9,500	7,460	10,150	7,960	10,730	8,410
50°F	9,320	7,300	9,970	7,830	10,640	8,340	11,200	8,780
59°F	9,460	7,420	10,170	7,980	10,880	8,530	11,590	9,090
68°F	10,800	8,470	11,520	9,040	12,240	9,600	12,720	9,980
77°F	10,660	8,360	11,380	8,930	12,110	9,500	12,600	9,880
86°F	10,110	7,930	10,820	8,490	11,540	9,060	12,120	9,510
95°F	9,530	7,480	10,240	8,030	10,960	8,590	11,670	9,160
104°F	9,030	7,080	9,750	7,650	10,460	8,200	11,170	8,760
113°F	8,530	6,690	9,250	7,250	9,960	7,810	10,680	8,370
122°F	8,280	6,490	9,000	7,060	9,600	7,530	10,320	8,100

**HEATING PERFORMANCE (BtuH)\***

Outdoor Ambient Temperature (DB)	Indoor Entering Air Temperatures							
	65°F DB		68°F DB		73°F DB		79°F DB	
	55°F WB		57°F WB		61°F WB		64°F WB	
	TC	SHC	TC	SHC	TC	SHC	TC	SHC
-22°F	10,100	10,100	9,800	9,800	9,700	9,700	9,600	9,600
-4°F	11,110	11,110	10,770	10,770	10,670	10,670	10,560	10,560
0°F	11,990	11,990	11,630	11,630	11,510	11,510	11,400	11,400
6°F	12,630	12,630	12,240	12,240	12,120	12,120	12,000	12,000
10°F	12,630	12,630	12,240	12,240	12,120	12,120	12,000	12,000
16°F	12,630	12,630	12,240	12,240	12,120	12,120	12,000	12,000
19°F	12,630	12,630	12,240	12,240	12,120	12,120	12,000	12,000
24°F	12,630	12,630	12,240	12,240	12,120	12,120	12,000	12,000
32°F	12,630	12,630	12,240	12,240	12,120	12,120	12,000	12,000
41°F	12,630	12,630	12,240	12,240	12,120	12,120	12,000	12,000
43°F	12,630	12,630	12,240	12,240	12,120	12,120	12,000	12,000
47°F	12,630	12,630	12,240	12,240	12,120	12,120	12,000	12,000
53°F	12,750	12,750	12,370	12,370	12,240	12,240	12,120	12,120
59°F	13,040	13,040	12,650	12,650	12,520	12,520	12,400	12,400
64°F	13,320	13,320	12,920	12,920	12,790	12,790	12,660	12,660
70°F	13,580	13,580	13,160	13,160	13,030	13,030	12,900	12,900
75°F	13,760	13,760	13,350	13,350	13,210	13,210	13,080	13,080
78°F	13,890	13,890	13,470	13,470	13,330	13,330	13,200	13,200

\* Maximum system capacity

TC- Total Capacity ( BtuH)

SHC- Sensible Capacity (BtuH)



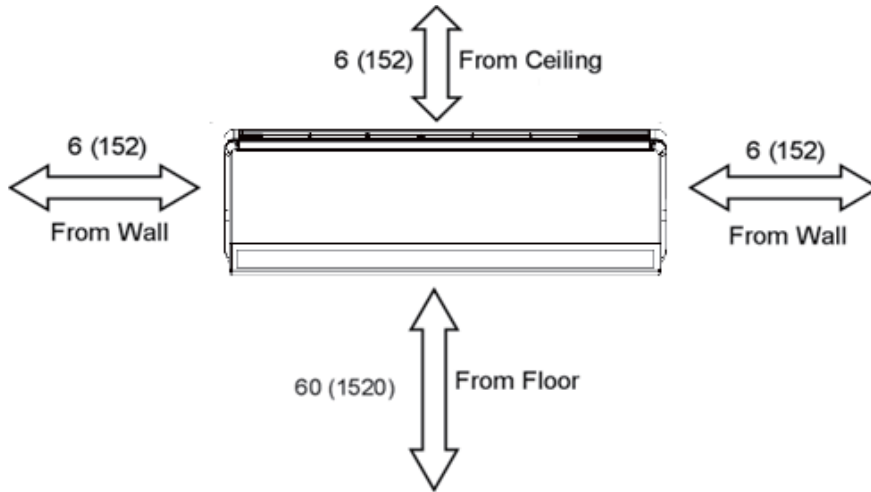
**DIMENSIONAL SPECIFICATIONS**

**KW12HUCA4D**

**MINIMUM SPACING REQUIREMENTS**

Units: inch (mm)

**INDOOR**



Units: inch (mm)

**OUTDOOR**

