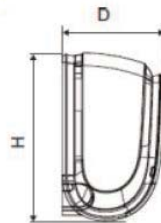
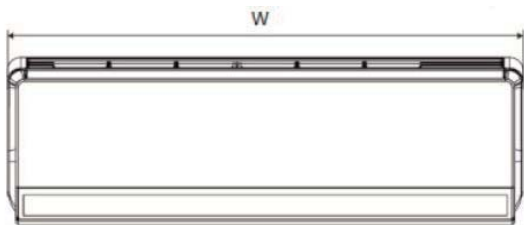


SPLIT TYPE
'CF7 <=8
**Model:
KW09HUCA4D**

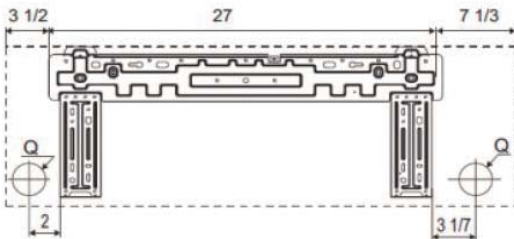

Item	Unit	Specification
ODU Model	—	KW09HUCA4DO
IDU Model	—	KW09HUCA4DI
System Ratings		
Cooling Capacity	Btu/h	9,000
Heating Capacity (47°F)	Btu/h	9,000
Heating Capacity (17°F)	Btu/h	5,500
Cooling Capacity Range	Btu/h	1,535-12,966
Heating Capacity Range	Btu/h	2,388-13,648
Cooling Power Input (Max)	W	1,400
Heating Power Input (Max)	W	1,500
SEER	—	30.5
HSPF	—	11.0
EER	W/W	15.7
COP	W/W	4.2
Cooling Operation Range	°F(°C)	0 ~ 129.0 (–18.0 ~ 54.0)
Heating Operation Range	°F(°C)	-22.0 ~ 75.0 (–30.0 ~ 24.0)
Gas Pipe Size (OD)	Inch	1/2
Liquid Pipe Size (OD)	Inch	1/4
Connection Method	—	Flared
Factory Charge	oz	49.4
Additional Charge	oz/ft	0.21
Pre-Charge Length	ft.	25
MAX Refrigerant Length	ft.	50
Min Refrigerant Pipe Length	ft.	10
MAX Refrigerant Pipe Elevation	ft.	33
Indoor Unit Data		
Fan Motor Power Output	W	20
Fan Motor FLA	A	0.2
Air Flow Volume	CFM	206/412
Sound Pressure Level	dB(A)	22/41
Dehumidification	pt/hr	1.7
Power Supply	—	208/230V / 1Ph / 60Hz
Min/Max Voltage	V	187 - 253
MCA	A	12.0
MOCP/Breaker Size	A	15.0
Interconnecting Cable Wire Size	—	14-4 AWG
Outdoor Unit Data		
Compressor Type	—	DC Inverter Rotary
Compressor RLA	A	8.5
Refrigerant Type	—	R410A
Fan Motor Power Output	W	30
Fan Motor FLA	A	0.36
Sound Pressure Level	dB(A)	53
Power Supply	—	208/230V / 1Ph / 60Hz
Min/Max Voltage	V	187 - 253
Main Supply Wire Size	—	14-2 AWG
MCA	A	12.0
MOCP/Breaker Size	A	15.0

Job Name:
Schedule Reference:
Date:

Outline and Physical Dimension of KW09HUCA4D.



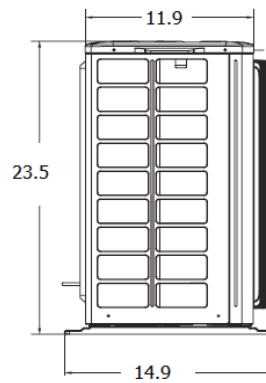
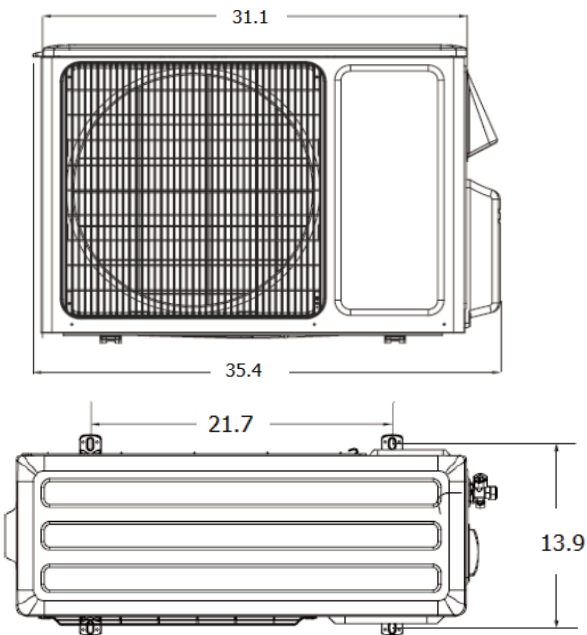
Dimensions	
W	37 3/4
H	12 5/8
D	8



Weight (Net/Shipping) 31/37 LBS

Liquid Line Valve	1/4-in OD Flared
Gas Line Valve	1/2-in OD Flared
Drain Connector	5/8-in OD

Units: inch



Liquid Line Valve	1/4-in OD Flared
Gas Line Valve	1/2-in OD Flared

Net Weight IDU	lb
Gross Weight IDU	lb
Net Weight ODU	lb
Gross Weight ODU	lb



COOLING PERFORMANCE (BtuH)*

Outdoor Ambient Temperature (DB)	Indoor Entering Air Temperatures							
	65 DB		68 DB		73 DB		79 DB	
	55 WB		57 WB		61 WB		64 WB	
	TC	SHC	TC	SHC	TC	SHC	TC	SHC
5 °F	5,030	3,940	5,480	4,290	5,810	4,560	6,200	4,860
14 °F	5,240	4,110	5,740	4,500	6,070	4,760	6,480	5,080
23 °F	5,850	4,590	6,290	4,930	6,730	5,280	7,170	5,620
32 °F	6,160	4,840	6,630	5,190	7,090	5,560	7,550	5,920
41 °F	6,470	5,080	6,970	5,450	7,450	5,840	7,930	6,220
50 °F	6,780	5,330	7,310	5,710	7,810	6,120	8,310	6,520
59 °F	7,100	5,570	7,630	5,980	8,160	6,400	8,690	6,820
68 °F	8,100	6,350	8,640	6,780	9,180	7,200	9,540	7,480
77 °F	8,000	6,270	8,540	6,700	9,080	7,120	9,450	7,410
86 °F	7,580	5,940	8,120	6,370	8,660	6,790	9,090	7,130
95 °F	7,150	5,610	7,680	6,030	8,220	6,450	8,750	6,870
104 °F	6,770	5,310	7,310	5,730	7,850	6,150	8,380	6,570
113 °F	6,400	5,020	6,940	5,440	7,470	5,860	8,010	6,280
122 °F	6,210	4,870	6,750	5,290	7,200	5,650	7,740	6,070

HEATING PERFORMANCE (BtuH)*

Outdoor Ambient Temperature (DB)	Indoor Entering Air Temperatures							
	65 DB		68 DB		73 DB		79 DB	
	55 WB		57 WB		61 WB		64 WB	
	TC	SHC	TC	SHC	TC	SHC	TC	SHC
-22 °F	8,330	8,330	8,080	8,080	8,000	8,000	7,920	7,920
-13 °F	8,710	8,710	8,450	8,450	8,360	8,360	8,280	8,280
-4 °F	9,280	9,280	9,000	9,000	8,910	8,910	8,820	8,820
0 °F	9,470	9,470	9,180	9,180	9,090	9,090	9,000	9,000
6 °F	9,470	9,470	9,180	9,180	9,090	9,090	9,000	9,000
10 °F	9,470	9,470	9,180	9,180	9,090	9,090	9,000	9,000
16 °F	9,470	9,470	9,180	9,180	9,090	9,090	9,000	9,000
19 °F	9,470	9,470	9,180	9,180	9,090	9,090	9,000	9,000
24 °F	9,470	9,470	9,180	9,180	9,090	9,090	9,000	9,000
32 °F	9,470	9,470	9,180	9,180	9,090	9,090	9,000	9,000
41 °F	9,470	9,470	9,180	9,180	9,090	9,090	9,000	9,000
43 °F	9,470	9,470	9,180	9,180	9,090	9,090	9,000	9,000
47 °F	9,570	9,570	9,280	9,280	9,180	9,180	9,090	9,090
53 °F	9,780	9,780	9,490	9,490	9,390	9,390	9,300	9,300
59 °F	9,990	9,990	9,690	9,690	9,590	9,590	9,500	9,500
64 °F	10,180	10,180	9,870	9,870	9,770	9,770	9,680	9,680
70 °F	10,320	10,320	10,010	10,010	9,910	9,910	9,810	9,810
75 °F	10,420	10,420	10,100	10,100	10,000	10,000	9,900	9,900
78 °F	10,420	10,420	10,100	10,100	10,000	10,000	9,900	9,900

* Maximum system capacity

TC- Total Capacity (BtuH)

SHC- Sensible Capacity (BtuH)



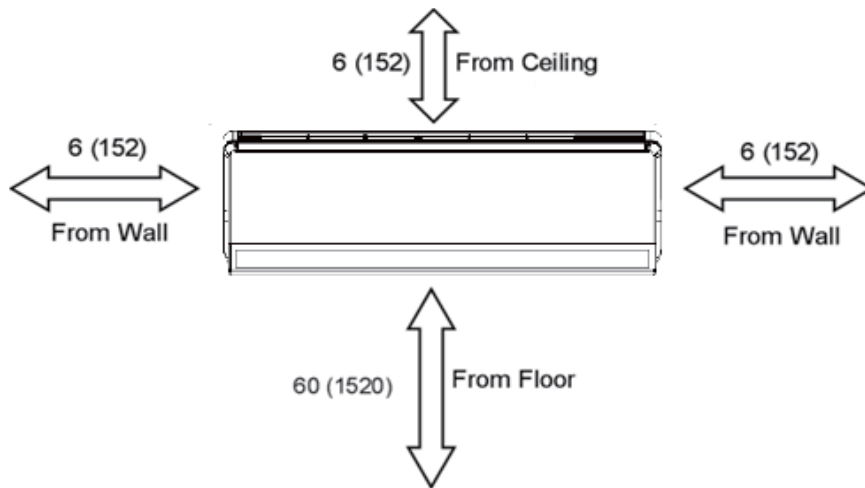
DIMENSIONAL SPECIFICATIONS

KW09HUCA4D

MINIMUM SPACING REQUIREMENTS

Units: inch (mm)

INDOOR



Units: inch (mm)

OUTDOOR

