

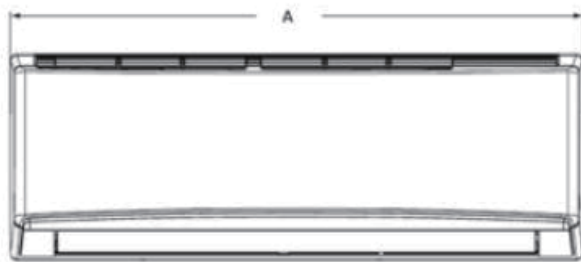
SPLIT TYPE
'''J=C@H
**Model:
KW09HQ2B8D**


Item	Unit	Specification
ODU Model	—	KW09HQ2B8DO
IDU Model	—	KW09HQ2B8DI
System Ratings		
Cooling Capacity	Btu/h	9,000
Heating Capacity (47°F)	Btu/h	11,000
Heating Capacity (17°F)	Btu/h	6,800
Cooling Capacity Range	Btu/h	3,100-9,600
Heating Capacity Range	Btu/h	1,911-12,000
Cooling Power Input (Max)	W	1,300
Heating Power Input (Max)	W	1,350
SEER	—	23.0
HSPF	—	11.0
EER	W/W	14.0
COP	W/W	3.2
Cooling Operation Range	°F(°C)	0~115.0 (-18.0~46.0)
Heating Operation Range	°F(°C)	-4~75.0 (-20.0~24.0)
Gas Pipe Size (OD)	Inch	3/8
Liquid Pipe Size (OD)	Inch	1/4
Connection Method	—	Flared
Factory Charge	oz	45.9
Additional Charge	oz/ft	0.16
Pre-Charge Length	ft.	25
MAX Refrigerant Length	ft.	50
Min Refrigerant Pipe Length	ft.	10
MAX Refrigerant Pipe Elevation	ft.	33
Indoor Unit Data		
Fan Motor Power Output	W	20
Fan Motor FLA	A	0.1
Air Flow Volume	CFM	171/377
Sound Pressure Level	dB(A)	29/43
Dehumidication	pt/hr	1.69
Power Supply	—	208/230V / 1Ph / 60Hz
Min/Max Voltage	V	187 - 253
MCA	A	9.0
MOCP/Breaker Size	A	15.0
Outdoor Unit Data		
Compressor Type	—	DC Inverter Rotary
Compressor RLA	A	6.6
Refrigerant Type	—	R410A
Fan Motor Power Output	W	30
Fan Motor FLA	A	0.36
Sound Pressure Level	dB(A)	53
Power Supply	—	115V / 1Ph / 60Hz
Min/Max Voltage	V	187 - 253
Main Supply Wire Size	—	14-2 AWG
MCA	A	9.0
MOCP/Breaker Size	A	15.0

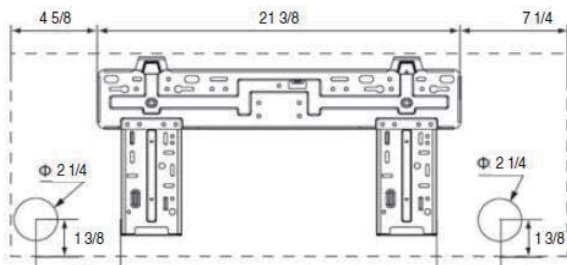
Job Name:
Schedule Reference:
Date:



Outline and Physical Dimension of KW09HQ2B8D.

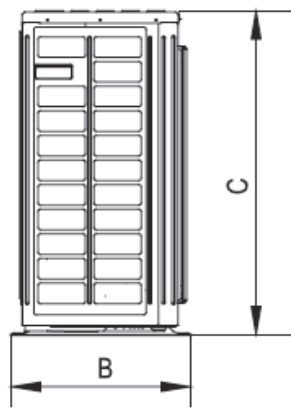
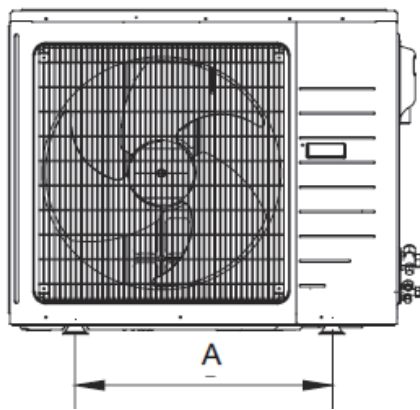


Dimensions	
A	33 3/8
B	11 3/8
C	8 1/4



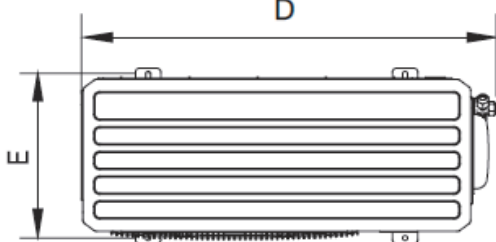
Liquid Line Valve	1/4-in OD Flared
Gas Line Valve	3/8-in OD Flared
Drain Connector	5/8-in OD

y



Dimensions	
A	21.3
B	12.6
C	21.3
D	33.4
E	11.3

y



Liquid Line Valve	1/4-in OD Flared
Gas Line Valve	3/8-in OD Flared

Net Weight IDU	22.1 lb
Gross Weight IDU	26.5 lb
Net Weight ODU	78.3 lb
Gross Weight ODU	83.8 lb



COOLING PERFORMANCE (BtuH)*

Outdoor Ambient DB	Indoor Ambient Temperature							
	68F DB (20C)		73F DB (23C)		80F DB (27C)		82F DB (28C)	
	57F WB (14C)		61F WB (16C)		67F WB (19C)		68F WB (20C)	
	TC	SHC	TC	SHC	TC	SHC	TC	SHC
5°F	7,656	6,005	8,088	6,341	9,128	7,159	9,508	7,458
14°F	7,852	6,159	8,292	6,503	9,476	7,431	9,871	7,740
23°F	8,388	6,580	8,972	7,038	10,280	8,063	10,708	8,399
32°F	10,172	7,978	10,880	8,533	11,916	9,343	12,413	9,732
41°F	11,520	9,035	12,240	9,598	13,080	10,259	13,625	10,686
50°F	11,384	8,930	12,108	9,497	12,960	10,166	13,500	10,589
59°F	11,104	8,707	11,824	9,274	12,840	10,072	13,375	10,492
68°F	10,824	8,488	11,544	9,055	12,600	9,882	13,125	10,294
77°F	10,548	8,273	11,264	8,833	12,360	9,696	12,875	10,100
86°F	10,244	8,034	10,960	8,594	12,000	9,412	12,500	9,804
95°F	9,996	7,840	10,708	8,399	11,844	9,290	12,338	9,678
104°F	9,748	7,645	10,460	8,205	11,688	9,169	12,175	9,551
113°F	9,248	7,252	9,960	7,812	11,192	8,776	11,658	9,142

HEATING PERFORMANCE (BtuH)*

Outdoor Ambient DB	Indoor Ambient Temperature							
	68F DB (20C)		73F DB (23C)		80F DB (27C)		86F DB (30C)	
	57F WB (14C)		61F WB (16C)		67F WB (19C)		72F WB (22C)	
	TC	SHC	TC	SHC	TC	SHC	TC	SHC
-4°F	6,401	6,401	6,340	6,340	6,233	6,233	5,982	5,982
0°F	6,935	6,935	6,870	6,870	6,756	6,756	6,477	6,477
6°F	7,316	7,316	7,248	7,248	7,126	7,126	6,832	6,832
10°F	7,621	7,621	7,549	7,549	7,423	7,423	7,118	7,118
16°F	7,850	7,850	7,778	7,778	7,648	7,648	7,331	7,331
19°F	8,006	8,006	7,926	7,926	7,797	7,797	7,473	7,473
24°F	8,895	8,895	8,818	8,818	8,685	8,685	8,365	8,365
32°F	9,932	9,932	9,855	9,855	9,722	9,722	9,402	9,402
41°F	11,117	11,117	11,041	11,041	10,911	10,911	10,587	10,587
43°F	11,415	11,415	11,338	11,338	11,205	11,205	10,885	10,885
47°F	12,448	12,448	12,322	12,322	12,109	12,109	11,582	11,582
53°F	12,574	12,574	12,444	12,444	12,227	12,227	11,697	11,697
59°F	12,860	12,860	12,730	12,730	12,505	12,505	11,964	11,964
64°F	13,134	13,134	13,001	13,001	12,772	12,772	12,219	12,219
70°F	13,382	13,382	13,245	13,245	13,016	13,016	12,452	12,452
75°F	13,569	13,569	13,431	13,431	13,195	13,195	12,623	12,623

* Maximum system capacity

TC- Total Capacity (BtuH)

SHC- Sensible Capacity (BtuH)



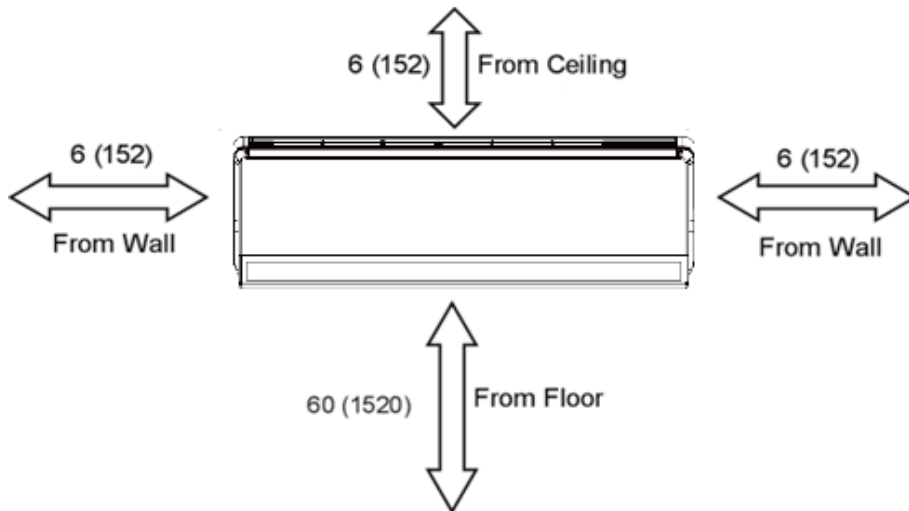
DIMENSIONAL SPECIFICATIONS

KW09HQ2B8D

MINIMUM SPACING REQUIREMENTS

Units: inch (mm)

INDOOR



Units: inch (mm)

OUTDOOR

